

Aliva[®]-585

LADLE GUNNING UNIT

■ For hot and cold refractory repair

The equipment is used for spray repairs with refractories and for pneumatic injection of various bulk materials in steel treatment.

■ Track type vehicle

The Aliva -585 is driven by a Kubota diesel engine with hydrostatic transmission. The operation is with a remote control.

■ Electrical hydraulic unit

The spraying arm is operated by an extra hydraulic power pack driven with an electric motor. The spraying arm consist of a 4m telescope with turnable lance.

Aliva[®]-585 CONVERTER GUNNING UNIT

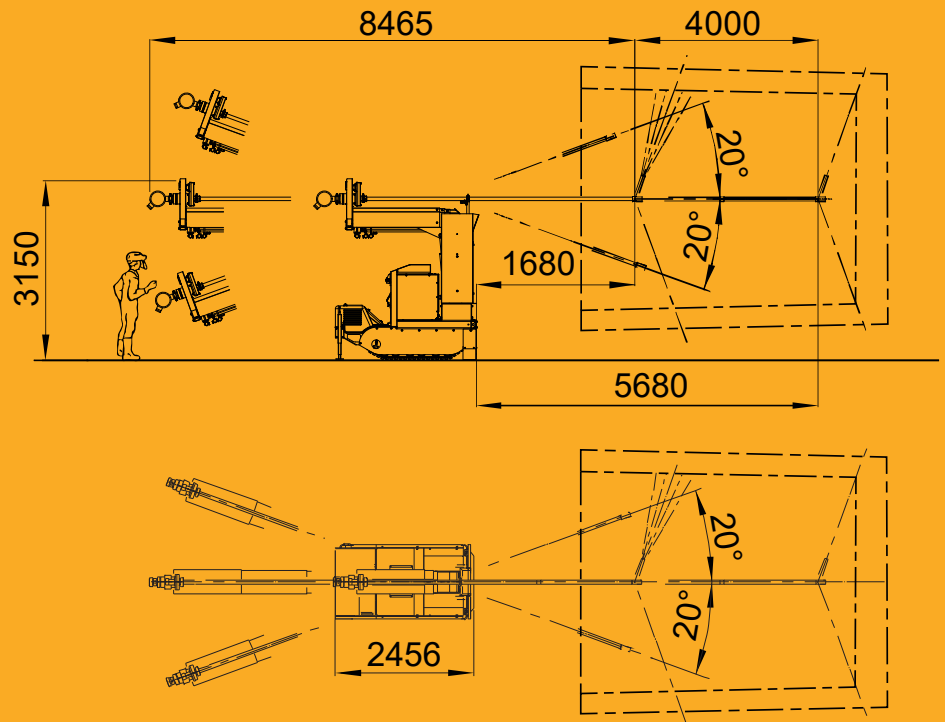
COMPACT, SAFE AND EASY TO USE

The Aliva-585 is for hot or cold refractory repair. The complete track-type vehicle is driven by a diesel engine. The power is transmitted by two hydrostatic motors. The movements of the vehicle and the spray lance swivelling, tilting and rotating, as well as the telescopic speed are controlled by a remote control. High quality materials ensuring the well-known long and reliable quality of Aliva machines.

Technical data

Dimensions	
Lenght (without lance)	2,65 m
Lenght (with lance)	8,7 m
Width	1,3 m
Height	3,15 m
Weight	2'730 kg
Ground clearance	200 mm
Remote control	Radio
Track carrier	
Tracks ground contact	1'100 mm
Tracks width	230 mm
Diesel engine	Kubota
Power	16 kW
Volume	899 cm ³
Cooling	water
Gears	2 Hydrostatic
Speed	3-5 km/h
Hydraulic power pack electric	
Power	7,5 kW
Oil pressure	210 bar
Oil flow	28 l/min
Tank contents	75 Liter
Movements	
Lance movement	4,0 m
Horizontal slewing	+/- 20°
Lance rotation	endless
Lance tilting	+/- 20°

Working range



Technical and design modifications remain reserved at all times. Technical properties have been achieved under theoretical and normal conditions. Please consult the respective machine manual for all matters related to operations and maintenance. The current version of our respective General Terms and Conditions applies.



SIKA SCHWEIZ AG
Aliva Equipment
Tüffenwies 16
CH-8048 Zürich
Switzerland

Contact
Phone +41 58 436 32 22
Fax +41 58 436 41 40
www.aliva-equipment.com
aliva.equipment@ch.sika.com



BUILDING TRUST

