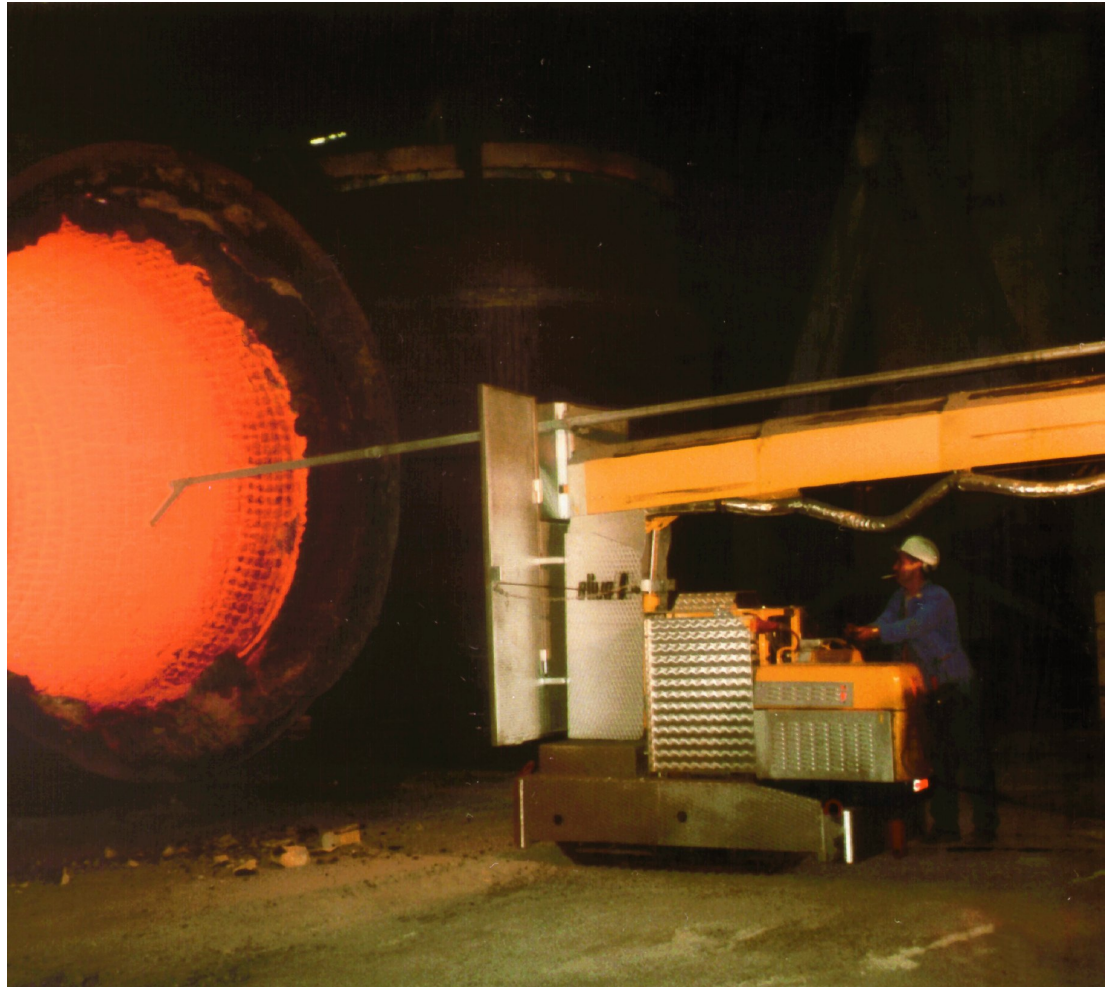




Aliva[®]-585 Ladle gunning unit



for hot or cold refractory repair
for ladles in horizontal position
highly manoeuvrable
more economical

Dimensions

Length (without lance)	2,55 m
Length (with lance)	7,67 m
Width	1,2 m
Height	2,85 m
Weight (approx.)	2100 kg
Ground clearance	100 mm
Remote control	electric (15m cable)

Track carrier

Tracks

Ground contact	1,2 m
Width	250 mm

Diesel engine

Power	7 kW (9,5 HP)
Volume	443 cm ³
Cooling	water
Gears	2 / 2 (forw / rev)
Speed	1,6 - 3 km/h

Hydraulic unit electric

Power	5,5 kW (7,5 HP)
Oil pressure	180 bar
Oil quantity	20 L / min.

Movements

Lance movement	2,9 m
horizontal slewing	+/- 20 °
Lance rotation	endless
Lance tilting	+/- 20 °

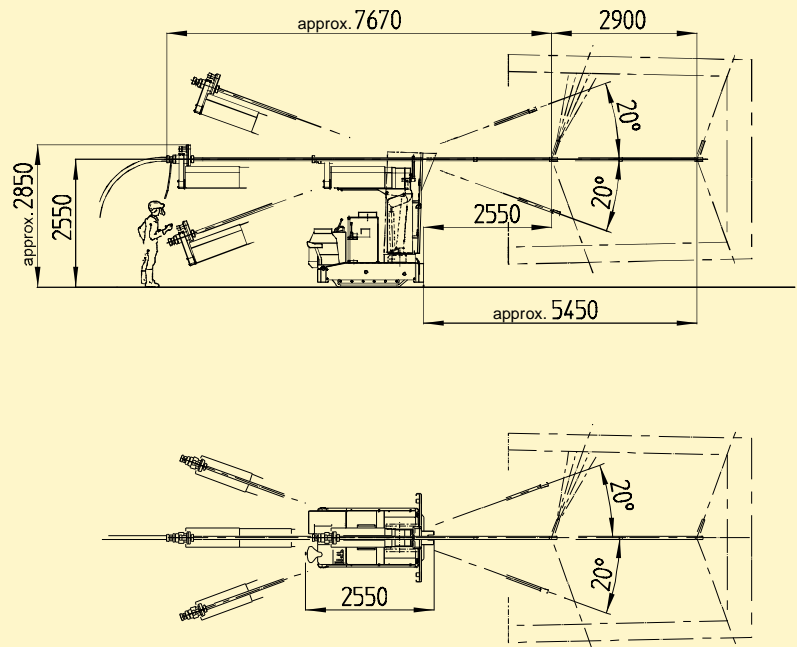
Description

The ladle gunning unit consists mainly of a:
 4 track-type vehicle driven by a diesel engine (Kubota)
 4 spraying arm consisting of a base slewing, 3-stage
 telescopic arm, turnable spraying lance
 4 hydraulic aggregate driven by an electric motor

Functioning

The complete track-type vehicle is driven by a diesel engine. The power is transmitted through a v-belt to the gear. Two gears are for forward and two gears are for backward speed. The movements of the spray lance swivelling, tilting and rotating, as well as the telescopic speed are controlled by a hydraulic remote control on the vehicle and also by a cable remote control.

Working range



Technical and design modifications remain reserved at all times. Technical properties have been achieved under theoretical and normal conditions. Please consult the respective machine manual for all matters related to operations and maintenance.

For us a matter of principle



Your local dealer



Sika Schweiz AG Aliva Equipment
 Tüffenwies 16 CH-8048 Zürich / Switzerland
 Phone +41 58 436 3297 www.sika.com
 Fax +41 58 436 3206 mueller.viktor@ch.sika.com