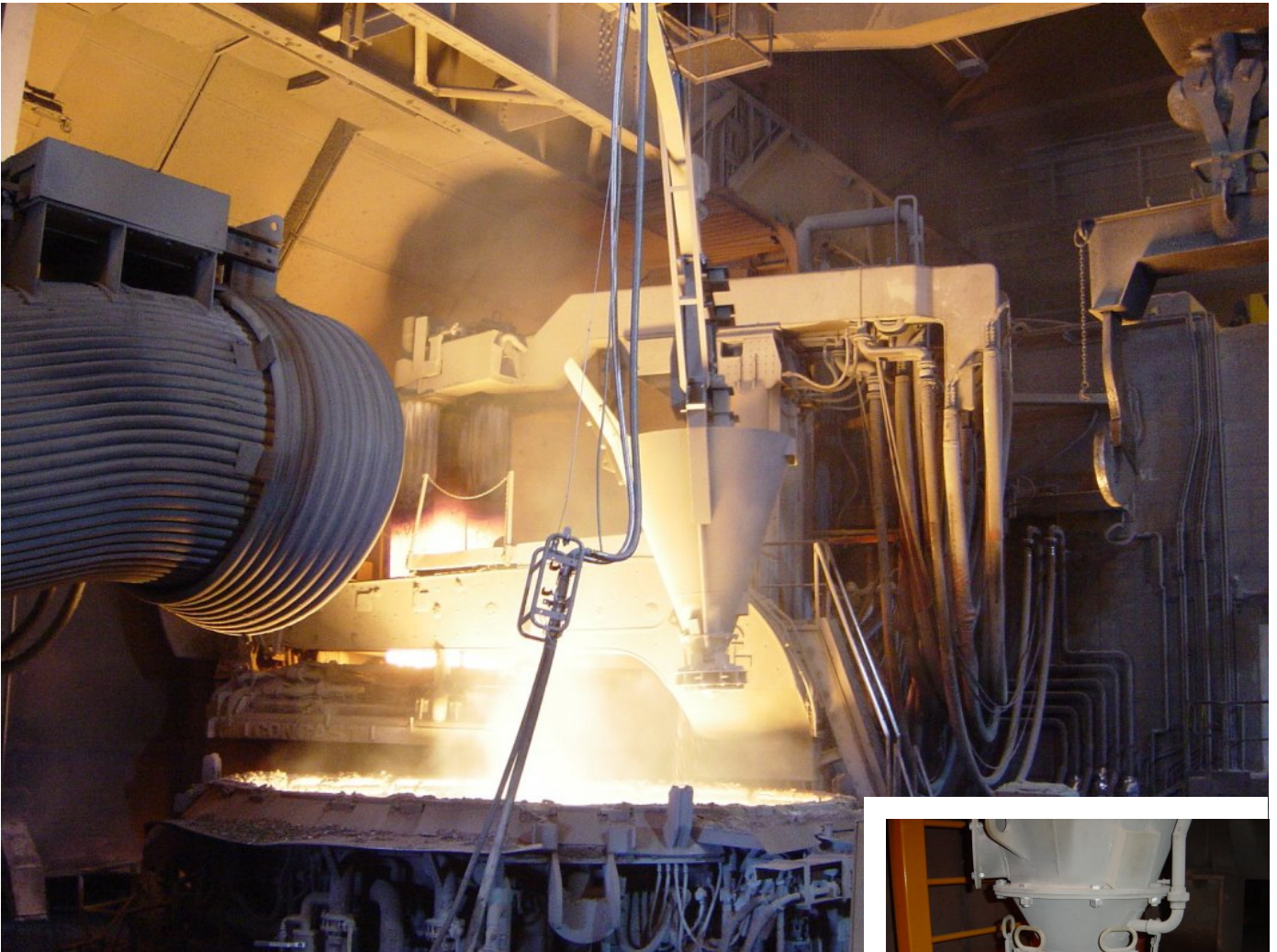




Aliva[®]-591 Sector slinging machine



for hot or cold refractory repair
for electric furnaces and ladles
accurately placed repair work
for efficient linings

Description

Slinging wheel exchangeable plates.
With pneumatically controlled telescope seal which does not open inside the arc furnace until the actual slinging operations starts. After slinging work is completed, the shutoff unit is closed and the slinger is withdrawn.
The mixing of material and water will be optimized by the conical screw conveyor.

Technical Data

Slinging capacity

depending on slide settings and consistency of refractory material

1.0 m ³ in 2-3 minutes

Pneumatic Drive

Design	5-cylinder Piston type motor
Rating	15 kW at 800 rpm
Air consumption	15 m ³ /min
Operating pressure	6 bar
Air hose connector	32 mm inside dia.

Electric Drive

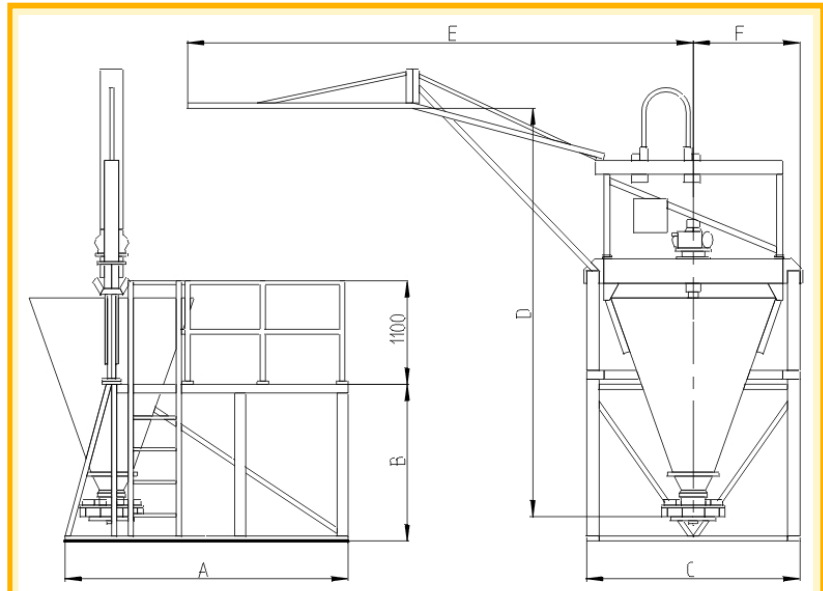
Design	3-phase squirrel-cage Motor 3x400V/50Hz
Rating	11 kW at 960 rpm

Water supply

Operating pressure	4 bar
Water hose connector	25 mm inside dia.
Water rate	150 l/min.

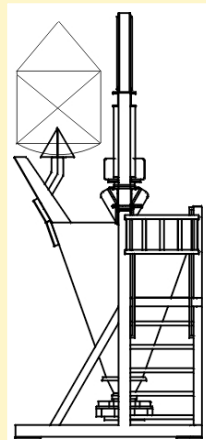
Weights

Capacity	Weight slinging machine	Weight platform
0.5 m ³	approx. 1400 kg	approx. 600 kg
1.0 m ³	approx. 1500 kg	approx. 850 kg
1.5 m ³	approx. 1700 kg	approx. 970 kg

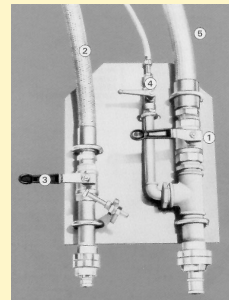


Dimensions

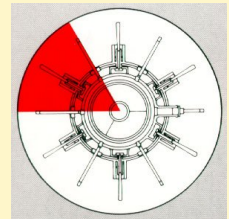
Capacity	A mm	B mm	C mm	D mm	E mm	F mm
0,5 m ³	2200	1400	1700	3350	3600	870
1,0 m ³	2850	1400	2050	4000	5400	1050
1,5 m ³	3000	1700	2250	4400	5500	1150



Option:
Big Bag equipment



Operating panel



Selectively repairs for a defined sector

The smallest sector is 60°

This range can be increased in 60° steps (up to 6 x 60° = 360°)

Technical and design modifications remain reserved at all times. Technical properties have been achieved under theoretical and normal conditions. Please consult the respective machine manual for all matters related to operations and maintenance.

For us a matter of principle



Sika Schweiz AG Aliva Equipment
Tüffenwies 16 CH-8048 Zürich / Switzerland
Phone +41 58 436 3297 www.sika.com
Fax +41 58 436 3206 mueller.viktor@ch.sika.com

Your local dealer